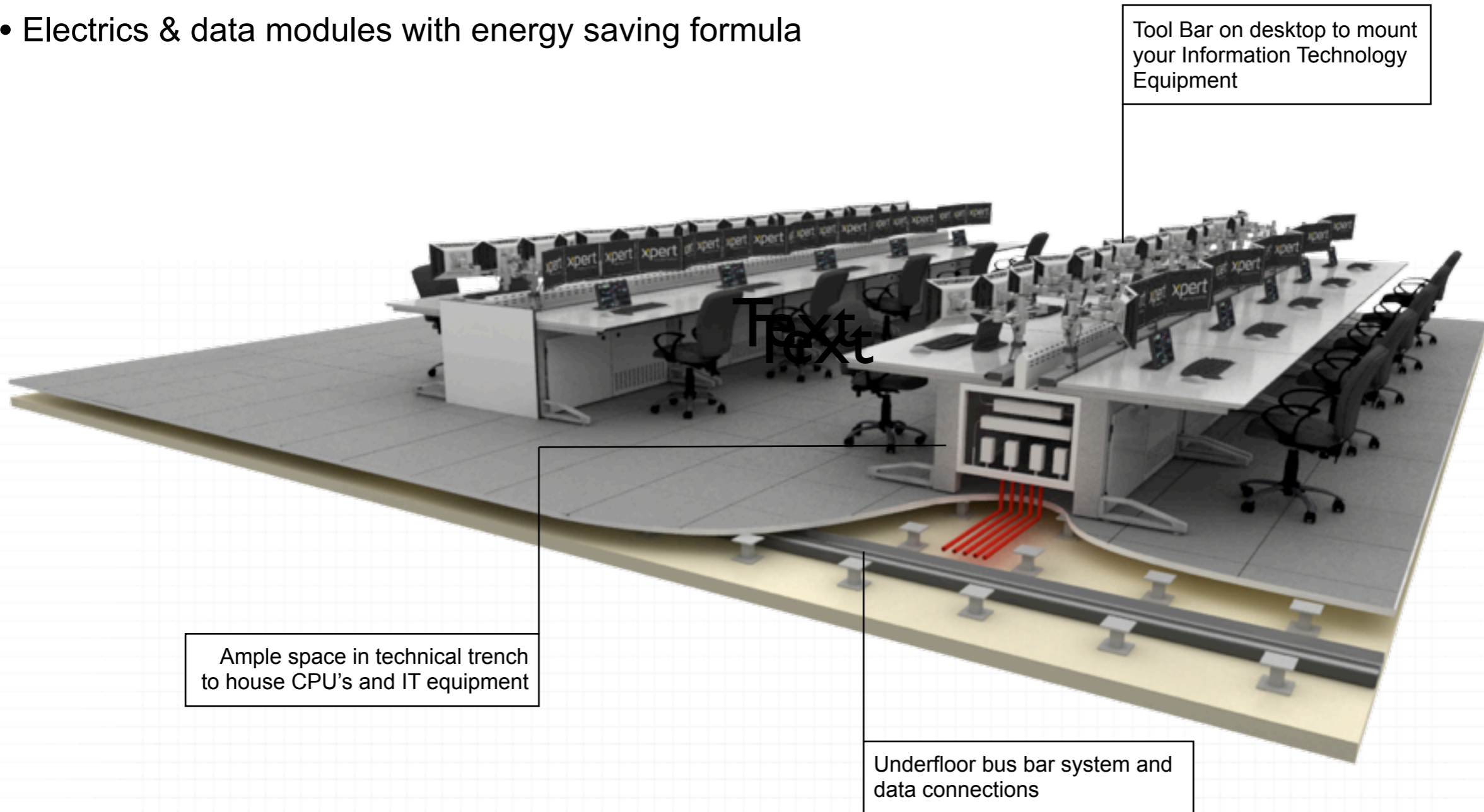




Trading desks & control rooms

- Manufactured to suit your requirements
- Modular system, fixed and height adjustable
- Desk accessories and refinements can be added
- Electrics & data modules with energy saving formula



Height adjustment

I-TURN (crank)

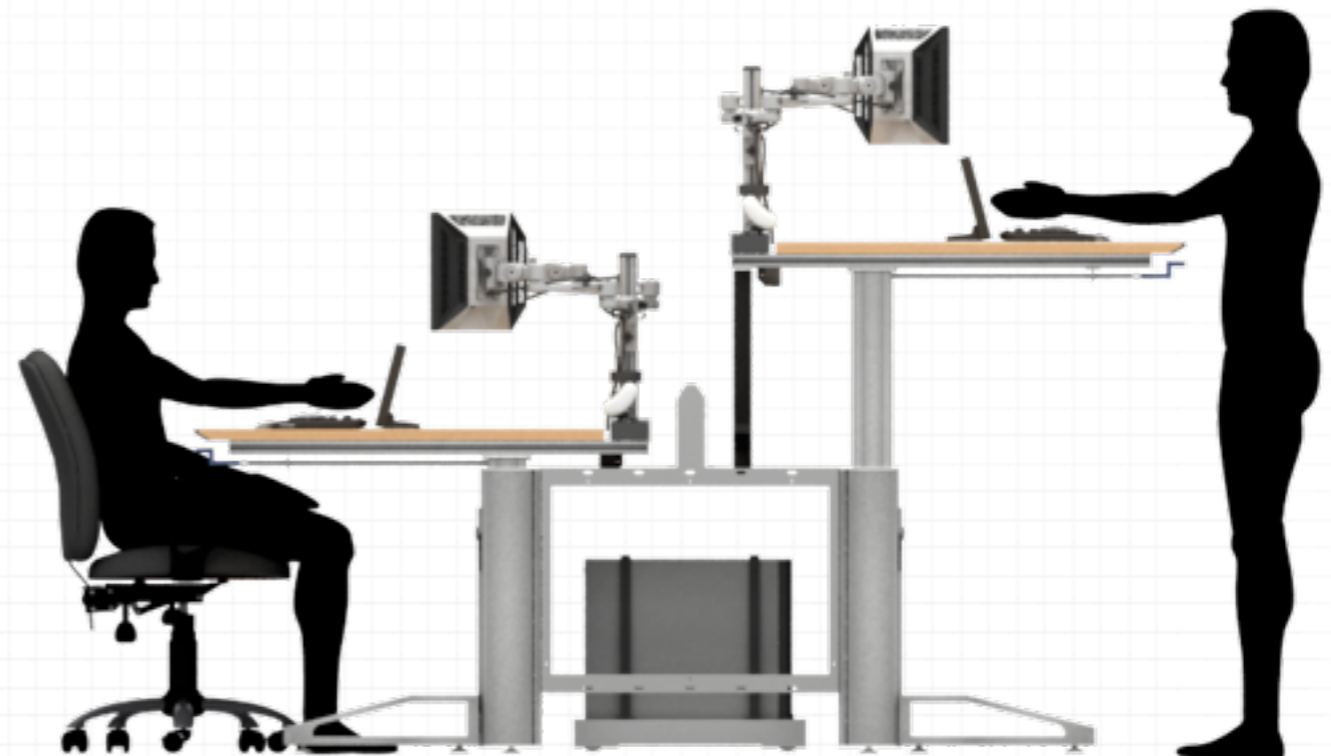


Seated use

- Desktop height can be adjusted using a removable crank handle
- Height adjustment to assist good posture
- Control handle can be issued to traders or facility

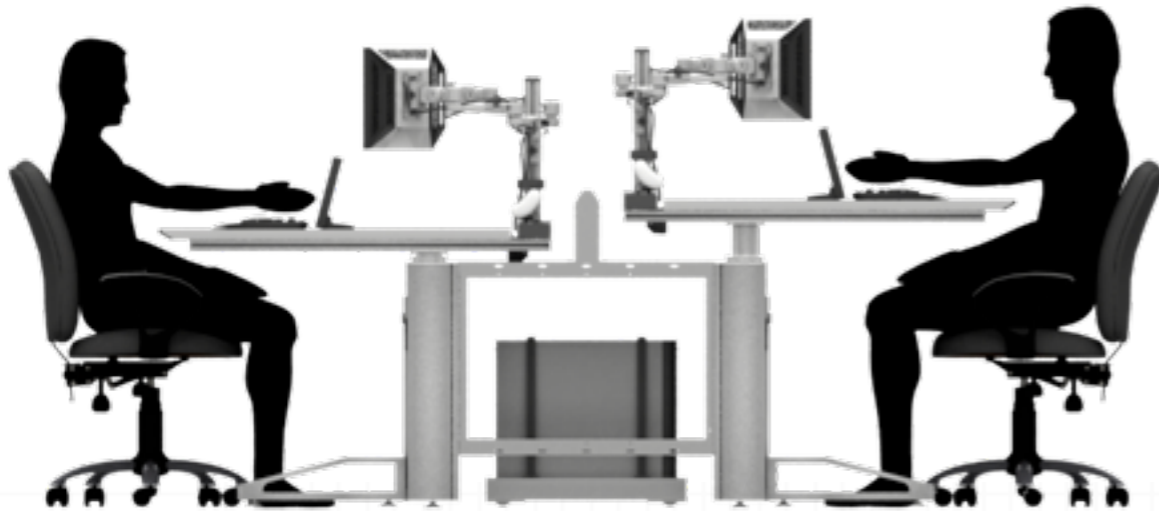
Standing use

- Worktop raised to a position suited to individual standing use
- Crank handle issued to trader so that position can be altered between sit and stand
- Easy access to in-desk IT services



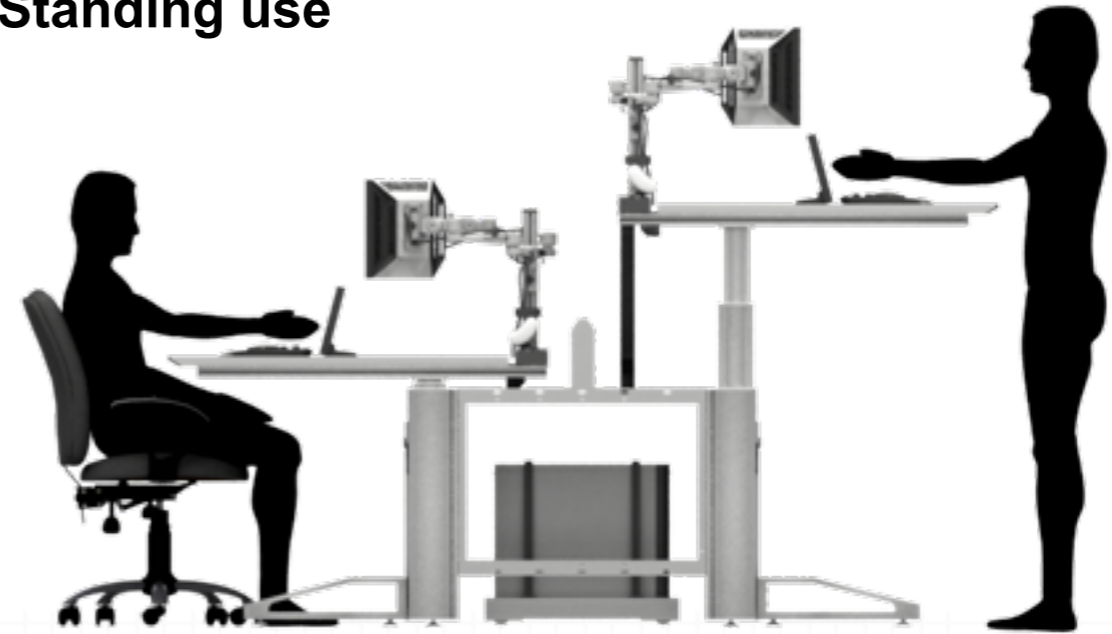
Height adjustment E-desk (electrical)

Seated use



- Desktop height can be adjusted using remote control
- Height is adjusted to assist good posture

Standing use



- Desktop raised to a position suited to individual standing use
- Handset controllers issued to traders so working position can be altered between sit and stand

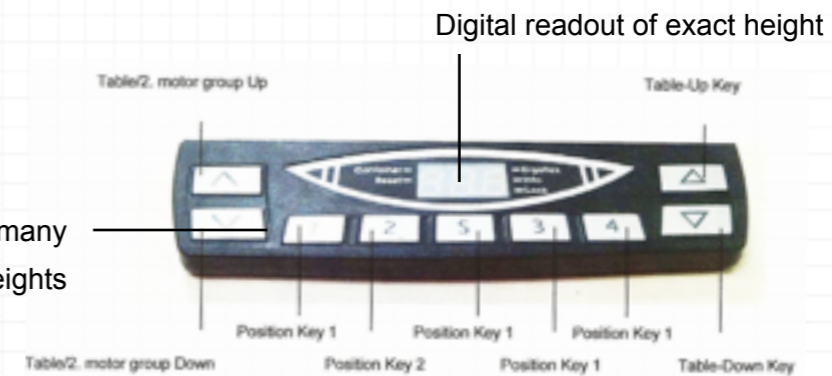
Handset controls



Basic up & Down button

Up & Down Handset

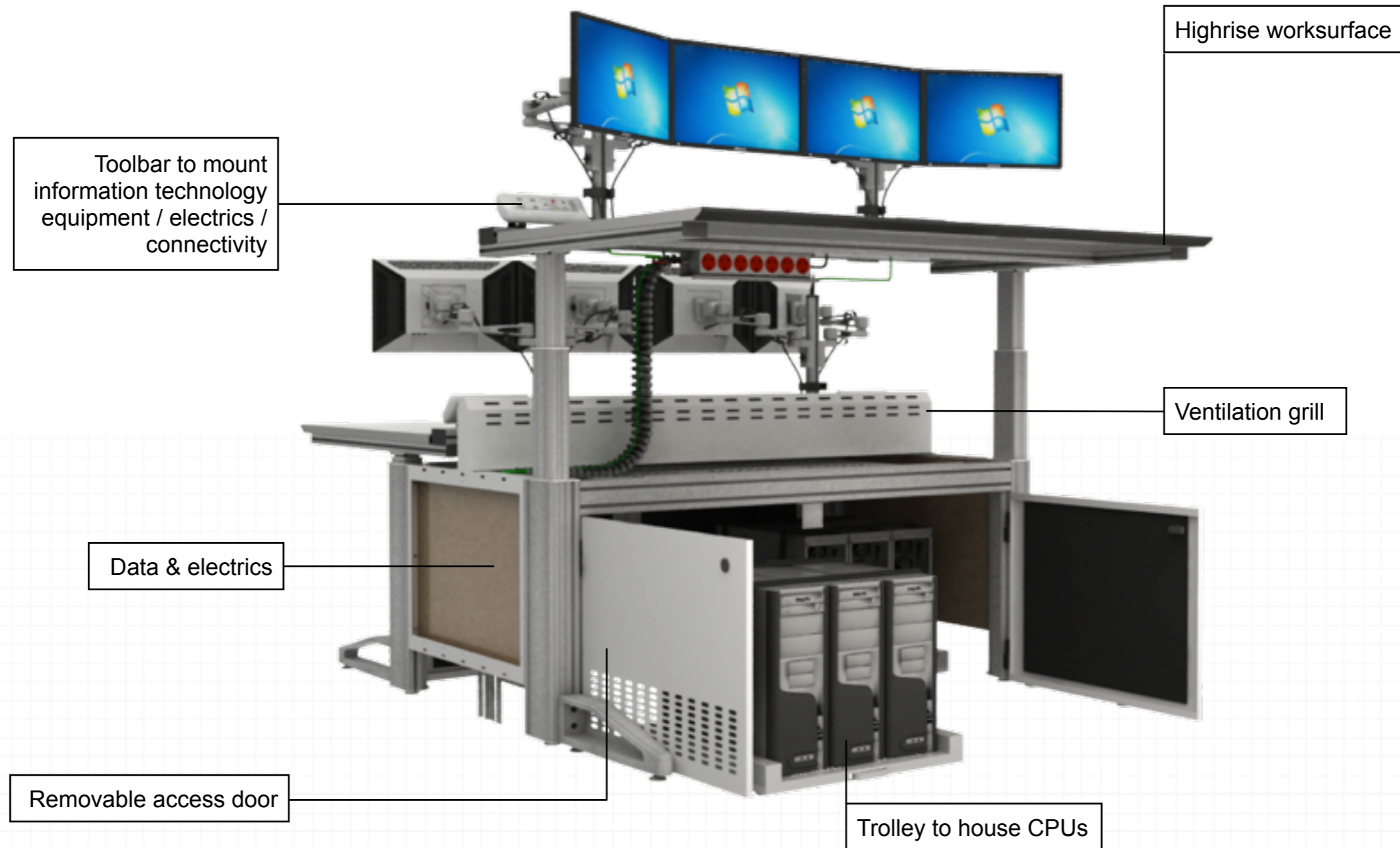
Can be programmed with many preset heights



LUD handset

IT accommodation

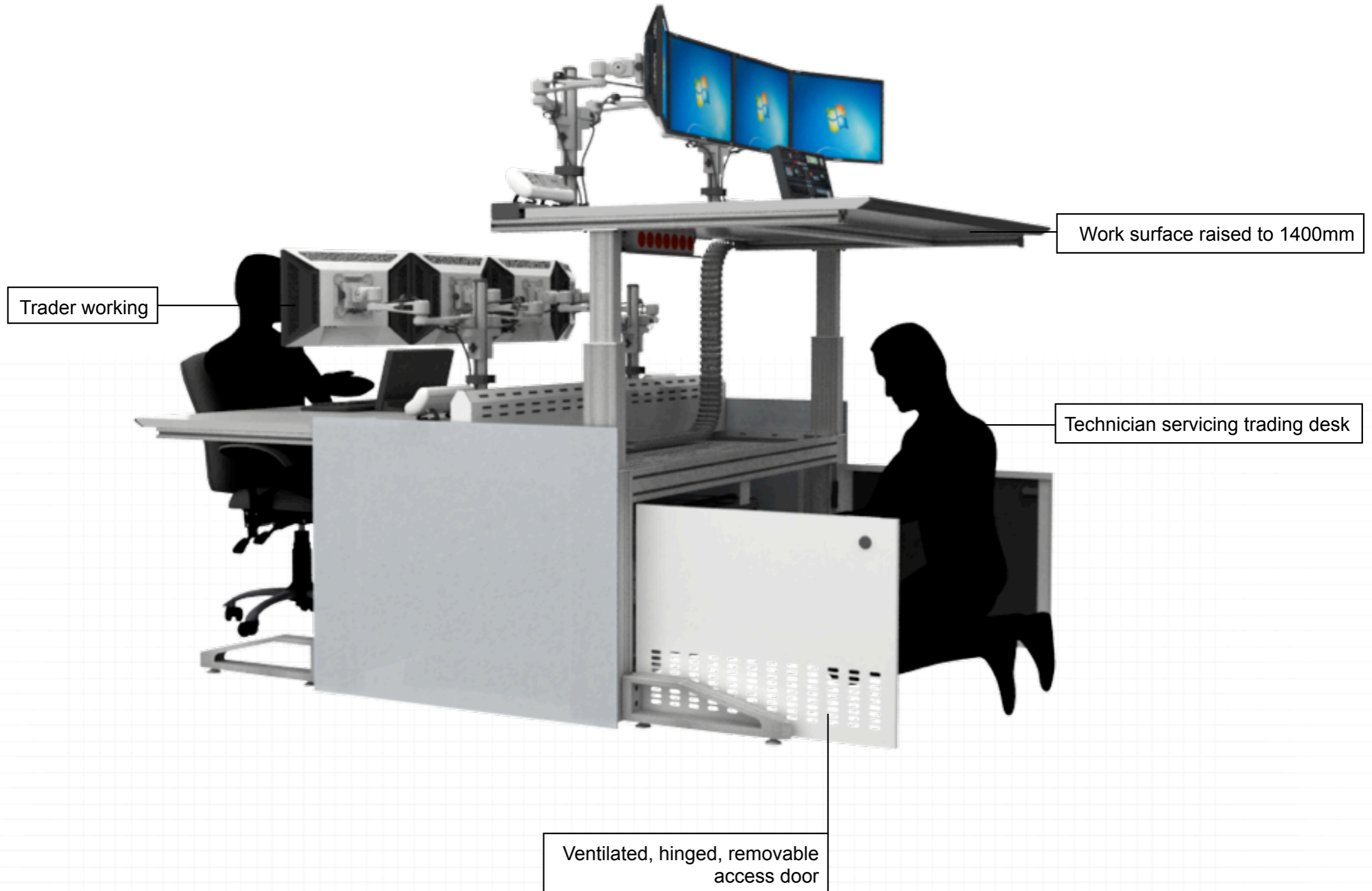
Features and arrangements



- Toolbar to mount flat screen arms / personal power / connectivity / additional power
- Worksurface travels up and down (700 to 1400mm)
- Trolley to house up to 4 CPUs
- Distribution board to mount electrics / data boxes
- Technology tray to house additional equipment and route cables

IT accommodation

IT access

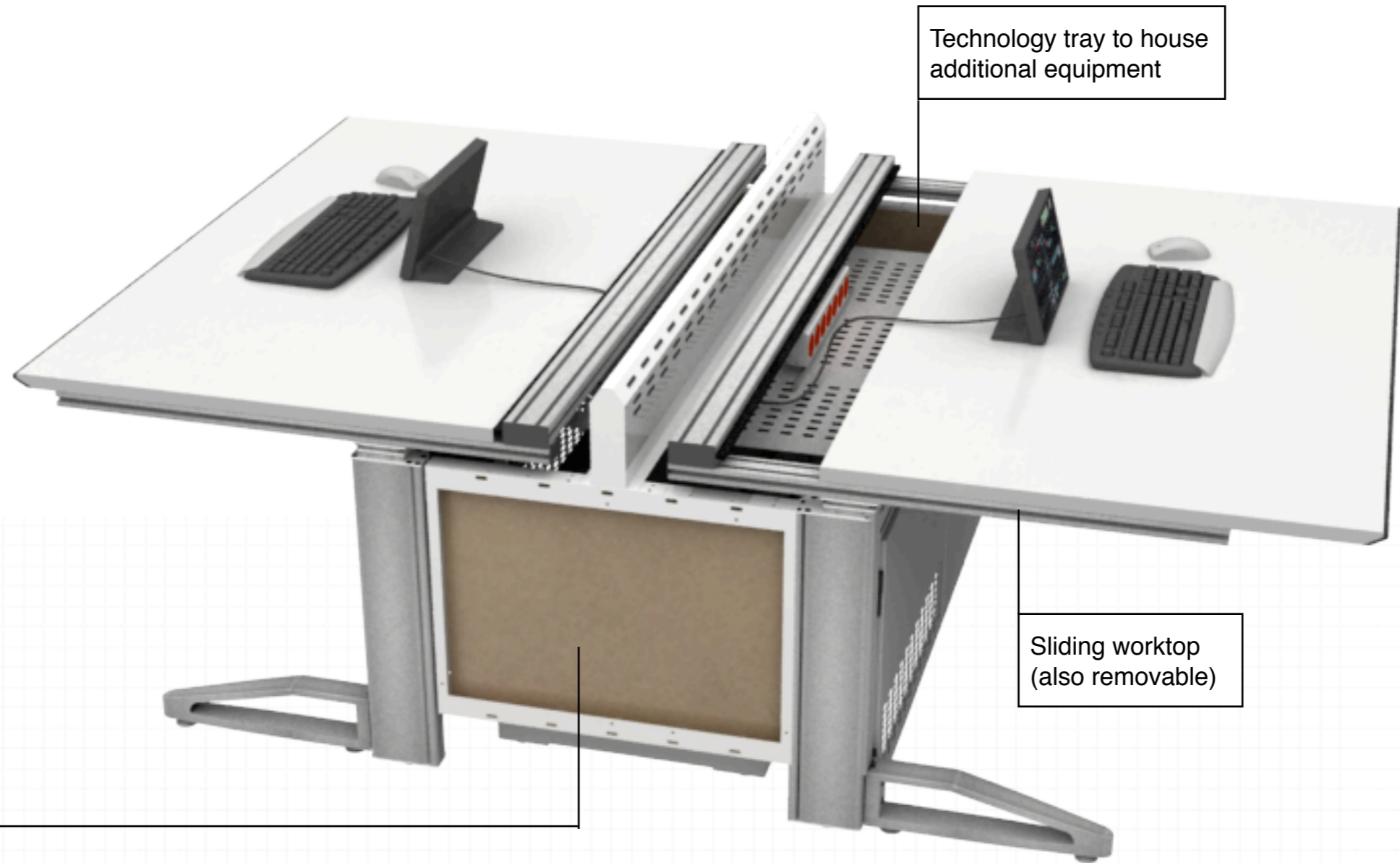


IT accommodation

IT access



Removable termination board housing electrics and data



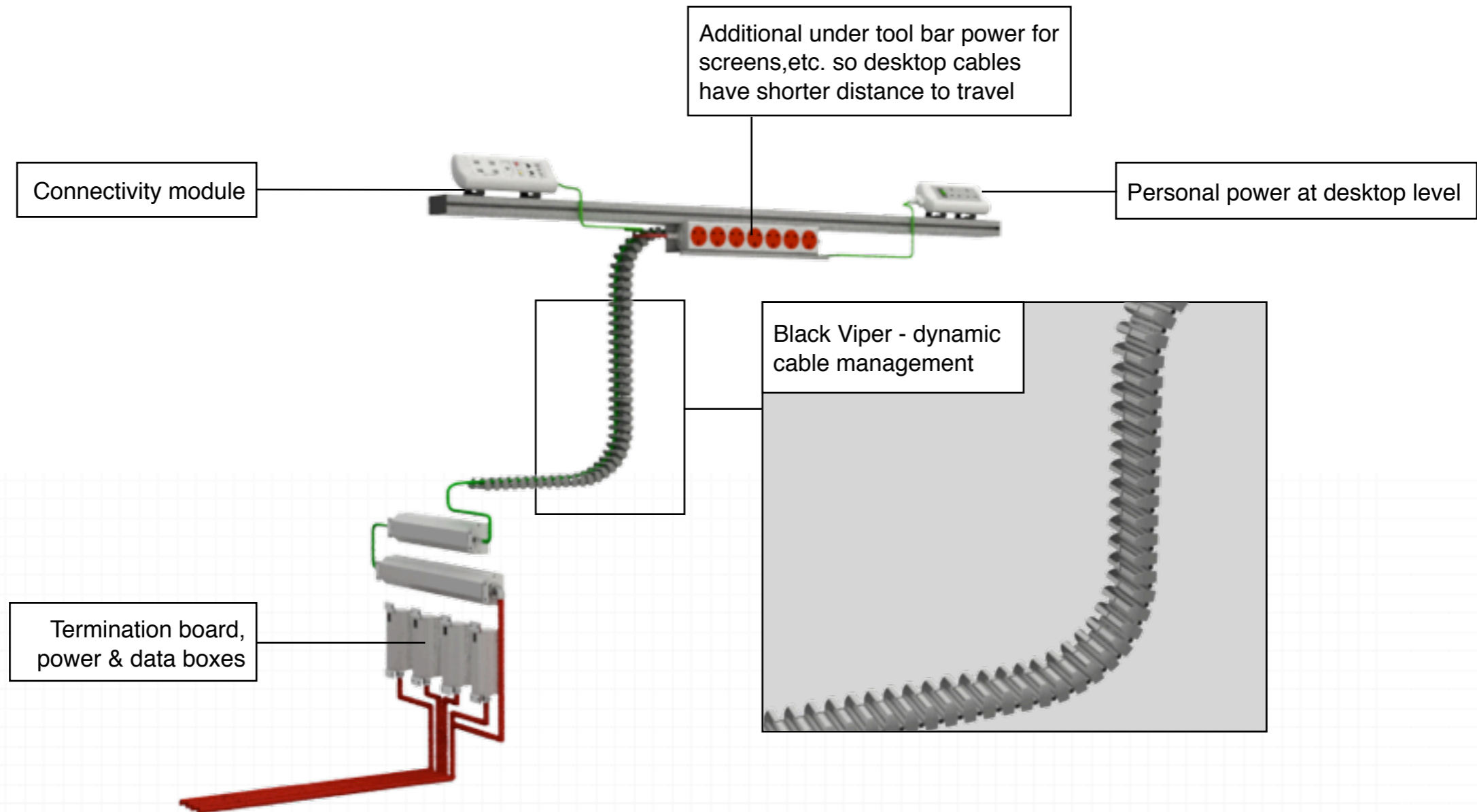
Technology tray to house additional equipment

Sliding worktop (also removable)

- Hinged access door, also removable
- Sliding / removable worksurface
- In desk technology tray to house additional equipment access via sliding worktop
- Full and easy access to lower part / higher part of the frame for IT maintenance
- Lift off termination board for easy maintenance, all cables will go directly in floor grommets below
- Comprehensive cable management

IT accommodation

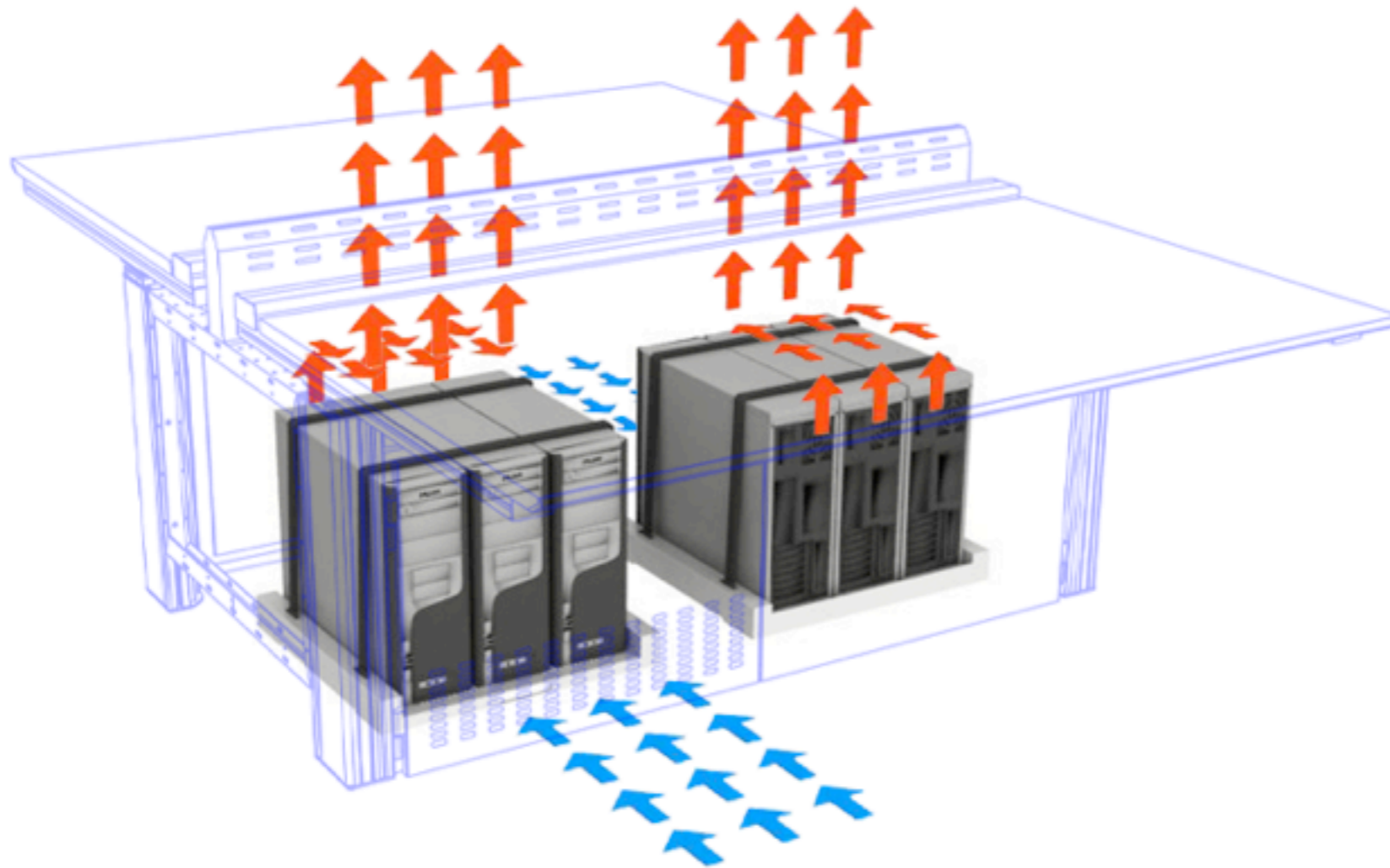
Cable management



- Integrated cable management to neatly manage the cables throughout the desk
- In desk technology tray to route and provide additional housing for cables and equipment
- Black Viper manages and protects cables as they travel up and down with the worktop

Heat management

Natural induction



For heat over 700 watts, XBF will install thermal shields to doors



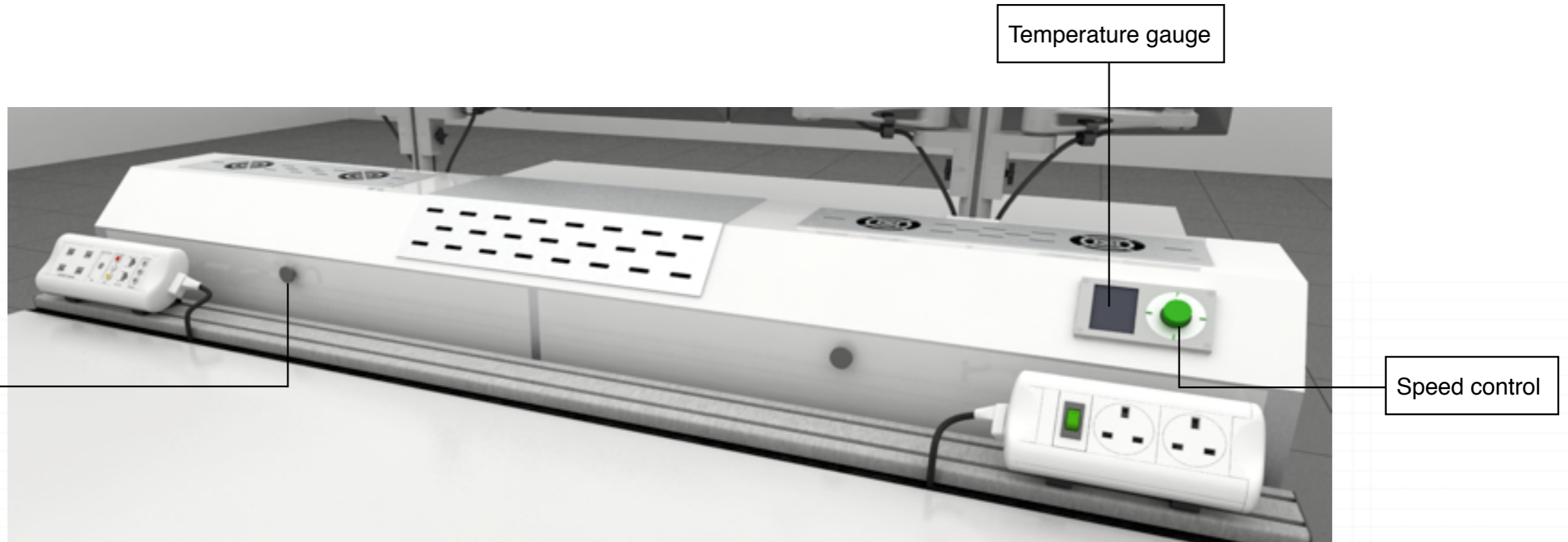
For heat over 1000 watts, fans will be added to the chimney

- Left hand door perforated to ensure air is drawn in by CPU's fans
- Right hand door without perforations ensures heat from back of CPU's travels from plinth and is exhausted through chimney
- Central ventilation chimney is perforated, curved to reduce turbulence, area of perforations is calculated and balanced with door perforations to ensure warm air is exhausted without any restrictions

Heat management

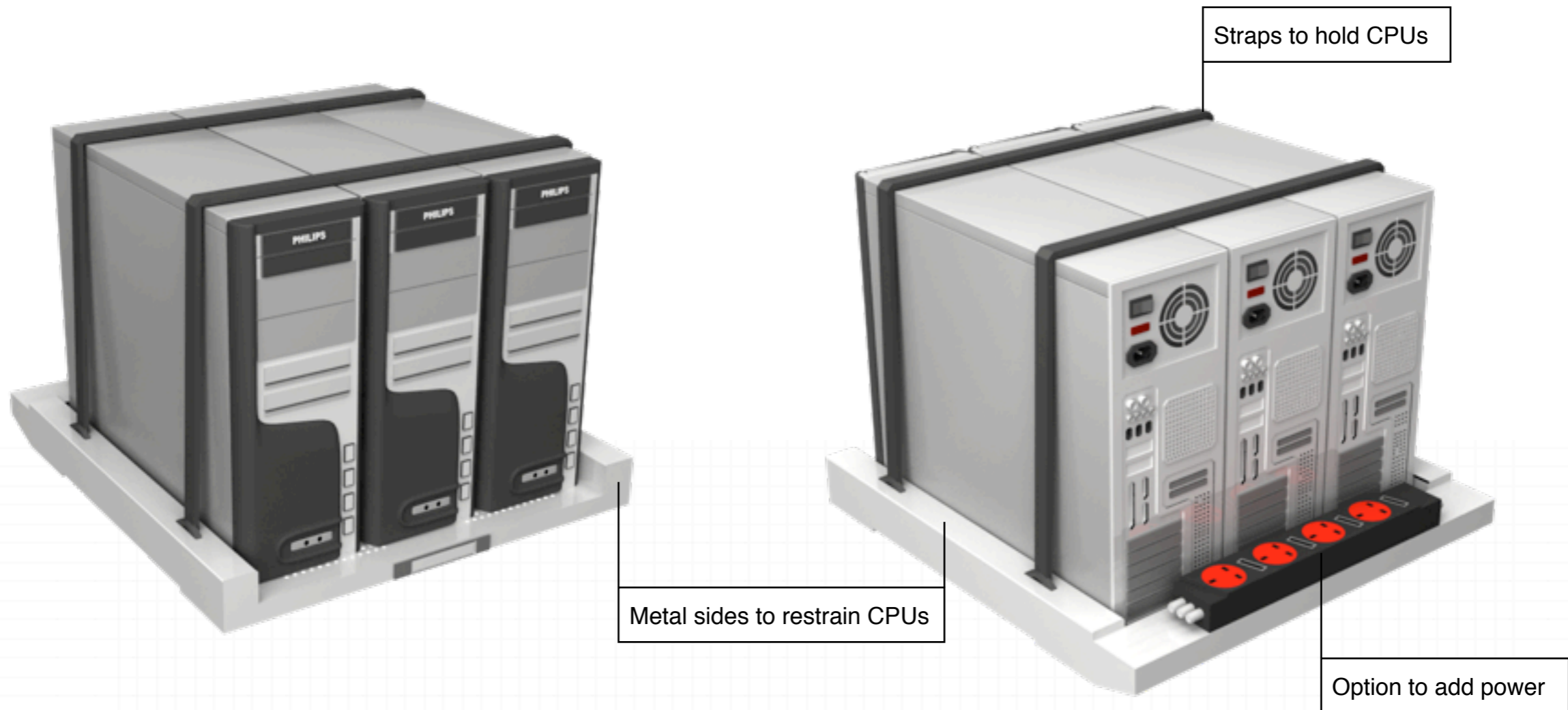
Water cooling

Heat is one of the criteria's considered in today's trading floor design. Heat load from PCs etc. within the desk cage need to be neutralised when AC building infrastructure is not sufficient. "I Cool" is the water cooling system designed to neutralise heat within the desk structure in this case.



- 'I Cool' is a fan coiled system with access doors, centrally mounted on the spine of a desk to deliver chilled air
- Cooling is delivered silently, and is required for heat load over 1300 watts.
- Warm air can be recycled internally or expelled to room space through ventilated grills
- Box enclosure is equipped with temperature sensors and controls to adjust flow rates, noise is kept to a low level
- Desk frame is sealed against leakage

CPU trolleys



- Mobile trolleys with integrated handles
- Vertical metal restraints and straps to hold CPUs in place
- Option to add cable protection / management chain behind CPUs
- Option to add power sockets behind CPU's dedicated power

In-desk technology



Eco module

- Energy saving module automatically cuts off power when desk is not in use
- Automatically restore power on return to work
- Stylish aluminium housing
- Can be manufactured to client specifications
- No software required



Personal power

- Stylish aluminium housing with clamping system
- Can be manufactured to client specifications

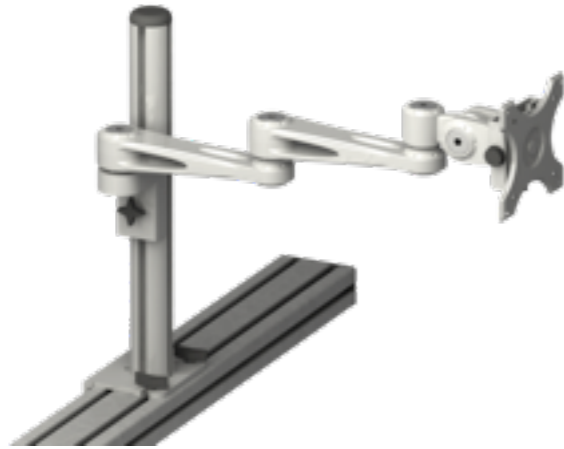


Connectivity unit

- Elegant connectivity module in stylish aluminium housing
- Clamping system, no tool required
- Can be manufactured with specific outlets to client specifications

Maxiflex monitor arm

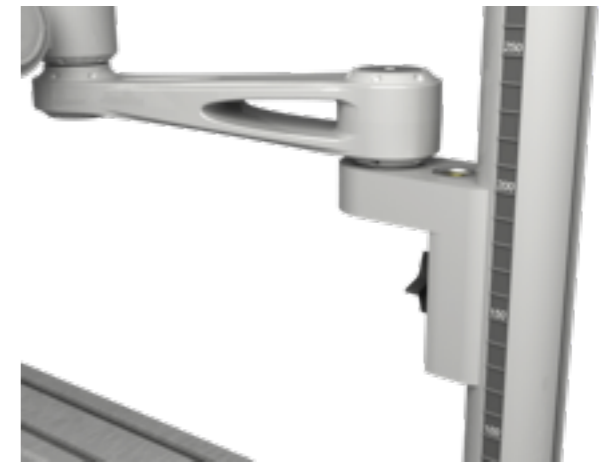
Features



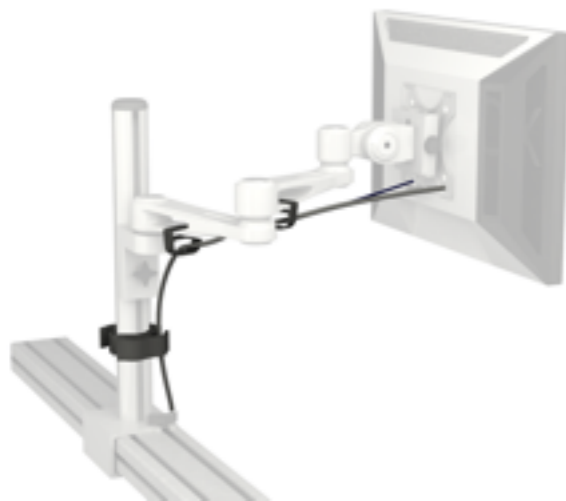
Single arm on tool bar



Quick release



Numbering system to ease installation of monitors



Cable management

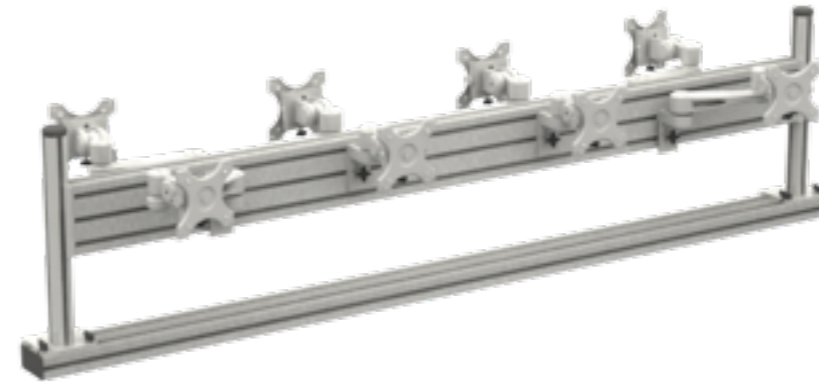
Features

- Modular, robust monitor arm with top load of 25kg
- Height adjustable
- Tilt and quick release
- 15mm vertical fine adjustment of VESA plate
- Cable management
- Level indicator and numbering system to ease installation

Maxiflex monitor arm Arrangements



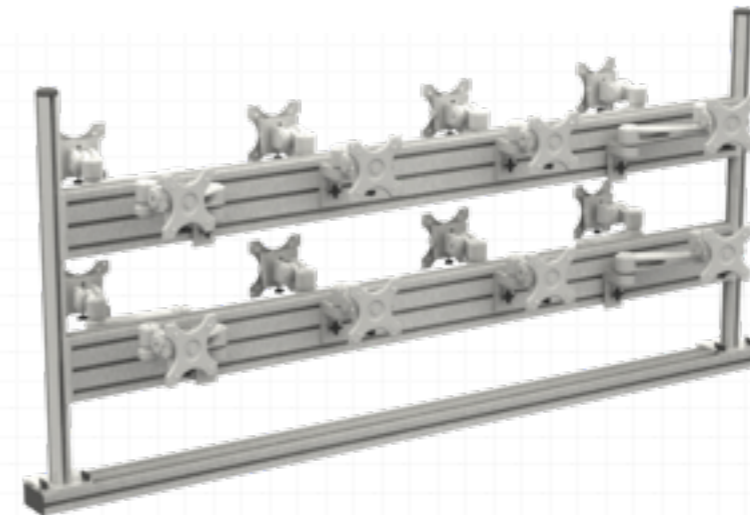
Double stacking



On slatwall



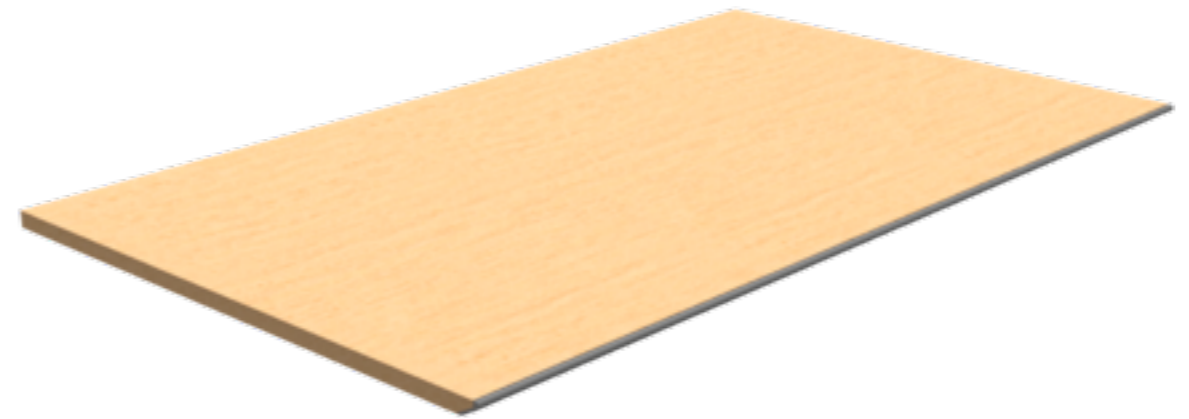
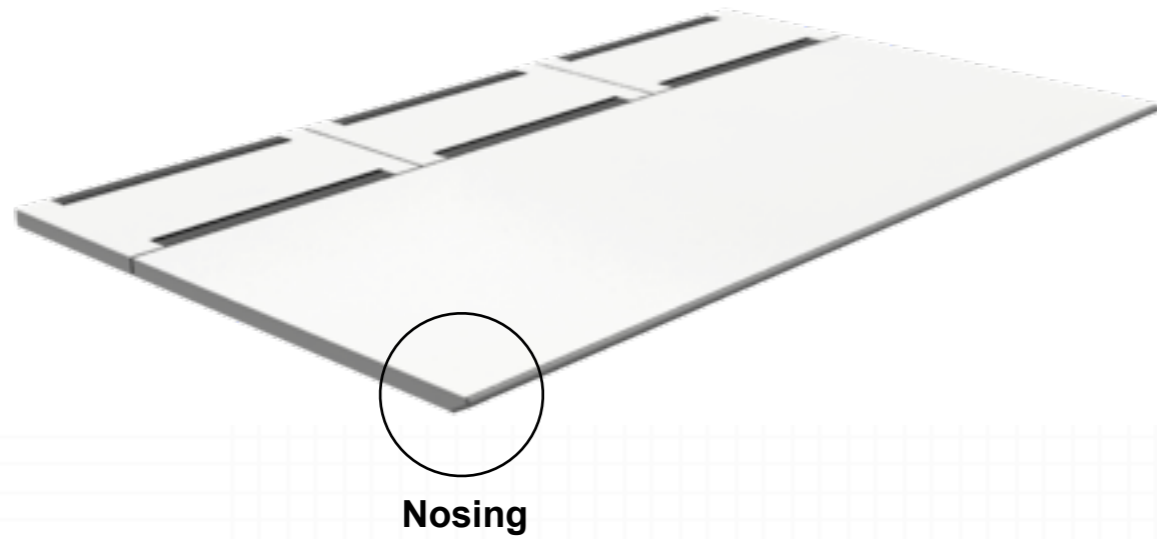
Double arm on toolbar



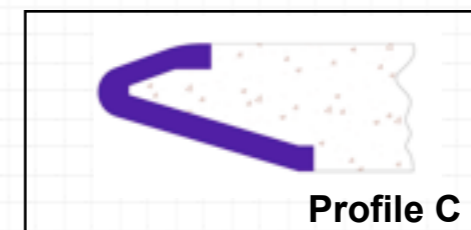
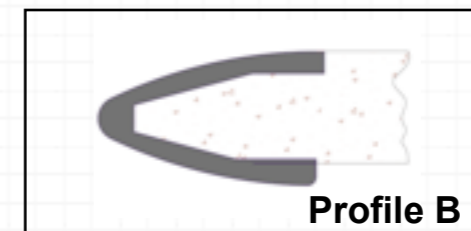
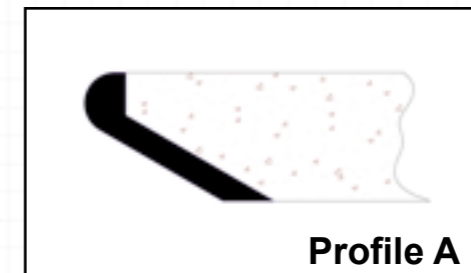
Double stacking on slatwall

- Ranges of finishes available
- Can be post mounted, slatwall mounted, or desktop mounted via desk clamp
- Double stacking on toolbar or slatwall
- Monitor arm can be configured in any arrangement (i.e. single, double, short or long)

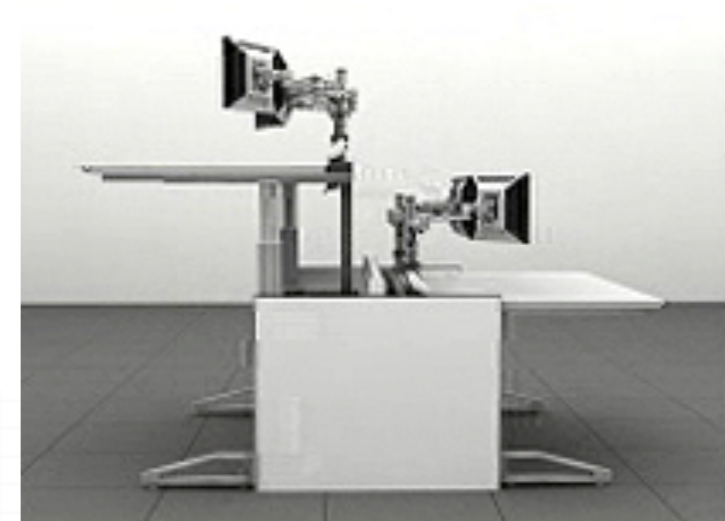
Worktops



- 25mm worksurface with moulded PU nosing
- Worksurface fixed, sliding, and removable
- Brush strips fitted to work surface for cable access
- Range of veneer, laminate, or lino
- Removable rear worksurface infills to access IT
- Rear upstand to prevent spillage



End panels



- End panels in veneer, laminate, or glass
- Long panels, or short panels with cantilever metal foot
- Shapes and heights and material combinations can be made to clients own specifications
- Digitally printed graphics logos

Seating and office furniture



Back office furniture compliment the range of Xpert dealing desks. Meeting boardroom tables and seating complete the Xpert furniture range.

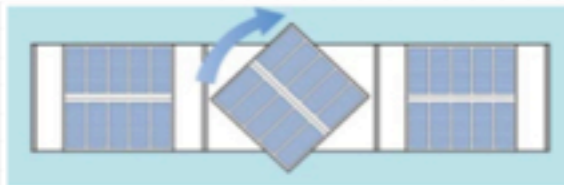


All Xpert seating options have been selected for their ergonomic design including the Aureo range which is the first breathable, passive air conditioned range of task seating.

Doublestore high density storage units



Doublestore two sided storage units optimise the available floor space where high density storage is required. Each unit rotates through 180 degrees providing access to both sides from one point, therefore making the best use of available floor space allocated to storage of files and other media.



| Code | Type | h | w | d |
|--------|-------------------|------|--------|---------|
| DS18/Z | Initial Cabinet | 2348 | x 1142 | x 788mm |
| DSE8/Z | Extension Cabinet | 2348 | x 965 | x 788mm |
| DS17/Z | Initial Cabinet | 2081 | x 965 | x 788mm |
| DSE8/Z | Extension Cabinet | 2081 | x 965 | x 788mm |

Please leave 180mm clear space at rear for rotation



Desk pedestal returns, providing stylish and practical personal storage options. Low density localised units provide excellent storage and extra surfaces for printers and other office equipment.



Contact information



XBF Manufacturing

Unit 13 - Castle Road
Technical Centre
Castle Road - Eurolink
Sittingbourne
Kent ME10 3RG
T: 01795 599069
F: 01795 599093
E: xbf@btinternet.com
W: www.xbf-uk.com

XBF Sales Office

Unit C2
15 Dock Street
London
E1 8JL
T: 02075 530329
F: 02074 881366
E: info@xbf-uk.com
W: www.xbf-uk.com

XBF Europe

Ateliers Marc Furrer
sa 9 rue du pont neuf
CH 1227
Carouge Geneve
Switzerland
T: +41 22 300 47 47
F: +41 22 300 47 47
E: info@ateliersfurrer.com
W: www.xbf-uk.com

XBF Asia

Muson İnşaat Ve Taahhüt
Perpa Ticaret Merkezi
A Blok
Kat:6 No:542 Okmeydanı
- Şişli / Istanbul - Turkey
T: +90212 220 06 50
F: +90212 210 89 67
E: info@muson.com.tr
W: www.xbf-uk.com

XBF Middle East

Coming soon



www.xbf-uk.com

